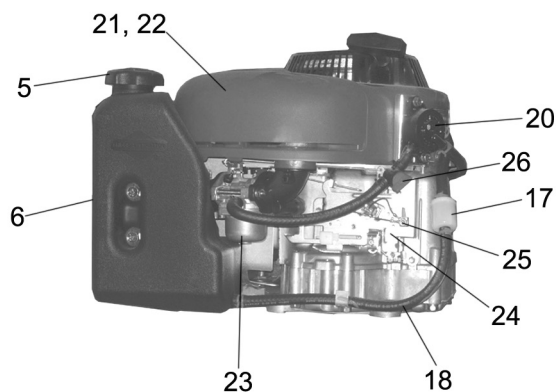
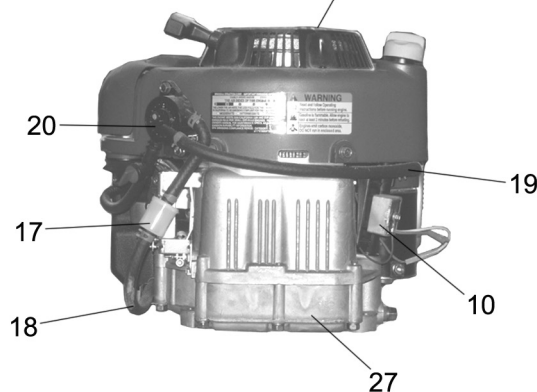
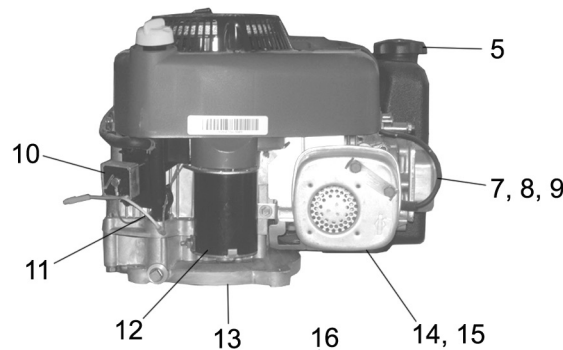
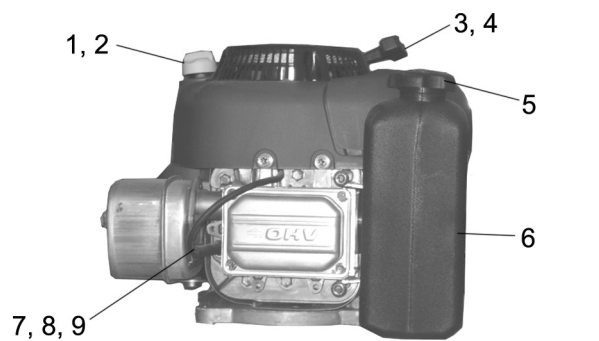


BRIGGS & STRATTON 10.5 INTEK REPLACEMENT PARTS



BRIGGS & STRATTON 10.5 INTEK REPLACEMENT PARTS

LOC. NO.	PART NUMBER	DESCRIPTION	MSRP	SALE PRICE
1	Z100588	DIPSTICK	\$10.34	\$7.95
2	Z100590	DIPSTICK ASSY.	\$25.94	\$19.95
3	Z100564	ROPE, STARTER	\$7.74	\$5.95
4	Z100524	HANDLE, PULL	\$13.59	\$10.45
5	Z100562	GAS CAP	\$6.44	\$4.95
6	Z100587	FUEL TANK	\$92.89	\$71.45
7	Z100520	SPARK PLUG	\$5.14	\$3.95
8	Z100547	BOOT, SPARK PLUG	\$3.19	\$2.45
9	Z100521	ARMATURE MAGNETO	\$60.39	\$46.45
10	Z100538	VOLTAGE REGULATOR	\$74.04	\$56.95
11	Z100553	HARNASS, CHARGE	\$12.94	\$9.95
12	Z100557	STARTER	\$207.94	\$159.95
13	Z100577	SHORT BLOCK	\$605.74	\$465.95
14	Z100568	MUFFLER	\$85.74	\$65.95
15	Z100516	DEFLECTOR (NOT SHOWN)	\$7.09	\$5.45
16	Z100563	RECOIL ASSY.	\$85.09	\$65.45
17	Z100535	FUEL FILTER	\$7.74	\$5.95
18	Z100537	HOSE, FUEL	\$12.94	\$9.95
19	Z100586	HOSE, FUEL	\$12.29	\$9.45
20	Z100569	PUMP, FUEL	\$74.69	\$57.45
21	Z100573	FILTER, PRE	\$5.79	\$4.45
22	Z100580	FILTER, ELEMENT	\$18.79	\$14.45
23	Z100530	CARBURATOR	\$207.94	\$159.95
24	Z100561	BRACKET, THROTTLE	\$26.59	\$20.45
25	Z100549	INSULATOR	\$7.74	\$5.95
26	Z100578	FUEL SHUT OFF	\$10.34	\$7.95
27	Z100130	ENGINE, 10.5 BRIGGS & STRATTON	\$779.94	\$599.95

Fax Orders: 248-442-8327

Phone Orders: 1.800.Angelo.2 (1.800.264.3562)

Trade names Meyer, Western, etc. used in this catalog are for reference purposes only. Angelo's Supplies, Inc. does not imply that the products listed are produced by these manufacturers. Prices subject to change without notice. All sales are final on electrical items. All authorized returns are subject to a 15% restocking fee. All special order items must be prepaid and sales are final; no returns or exchanges will be permitted.