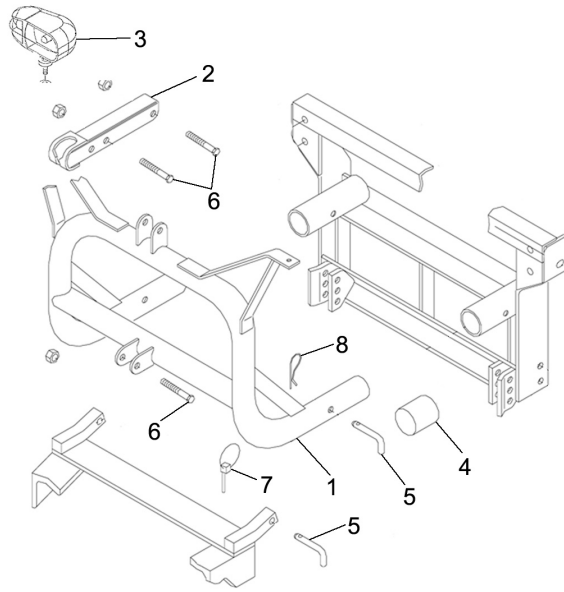


# MEYER LIFT FRAME PARTS CLASSIC & PLUS MOUNT

www.angelo-supplies.com

"When it snows, it's Angelo's"

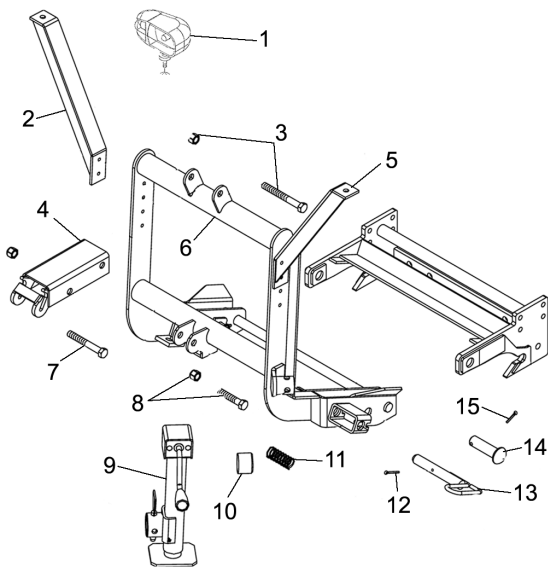
Fax Orders: 248-442-8327



## CLASSIC LIFT FRAME REPLACEMENT PARTS

LOC. NO.	PART NUMBER	DESCRIPTION	MSRP	SALE PRICE
1	Z411255	OEM LIFT FRAME, CLASSIC	\$629.14	\$483.95
2	Z410514	OEM LIFT ARM, CLASSIC	\$62.39	\$43.95
	Z100694	LIFT ARM, CLASSIC	\$46.74	\$35.95
3	Z407223	OEM SABER LIGHT KIT OLD STYLE MODULES, WHILE SUPPLIES LAST	\$389.94	\$258.95
	Z407234	OEM SABER II LIGHT KIT NEW STYLE MODULES	\$426.39	\$302.95
	Z407550	OEM SABER II LIGHT KIT W/ NEW STYLE MODULES	\$466.69	\$331.95
4	Z411544	OEM TUBE CAP	\$4.49	\$2.95
5	Z100686	HITCH PIN W/CLIP (PAIR)	\$7.74	\$5.95
	Z408562	OEM HITCH PIN W/CLIP (PAIR)	\$17.49	\$11.95
6	Z100852	BOLT & NUT	\$5.14	\$3.95
	Z409122	OEM BOLT & NUT	\$8.39	\$4.95
7	Z101097	QUICK PIN	\$0.59	\$0.45
	Z422083	OEM QUICK PIN	\$7.09	\$3.95
8	Z100988	HAIR PIN (PAIR)	\$1.24	\$0.95
	Z421984	OEM HAIR PIN (PAIR)	\$4.49	\$2.95

Phone Orders: 1.800.Angelo.2 (1.800.264.3562)



## PLUS LIFT FRAME REPLACEMENT PARTS

LOC. NO.	PART NUMBER	DESCRIPTION	MSRP	SALE PRICE
1	Z407223	OEM SABER LIGHT KIT OLD STYLE MODULES, WHILE SUPPLIES LAST	\$389.94	\$258.95
	Z407234	OEM SABER II LIGHT KIT NEW STYLE MODULES	\$426.39	\$302.95
	Z407550	OEM SABER II LIGHT KIT W/ NEW STYLE MODULES	\$466.69	\$331.95
2	Z411752	OEM LIGHT BRACKET, PASSENGER SIDE	\$29.19	\$19.95
3	Z100856	BOLT & NUT	\$3.84	\$2.95
	Z420153	OEM BOLT & NUT	\$4.49	\$2.45
4	Z419592	OEM LIFT ARM, PLUS	\$187.79	\$128.95
5	Z411751	OEM LIGHT BRACKET, DRIVERS SIDE	\$68.89	\$48.95
6	Z419365	OEM LIFT FRAME, EZ PLUS	\$741.59	\$510.95
7	Z101181	BOLT & NUT, 5/8" X 5"	\$11.64	\$7.45
	Z420152	OEM BOLT & NUT, 5/8" X 5"	\$12.29	\$7.95
8	Z100852	BOLT & NUT	\$5.14	\$3.95
	Z409122	OEM BOLT & NUT	\$8.39	\$4.95
9	Z422245	OEM CRANK STAND, DISCONTINUED	\$46.09	\$31.95
10	Z411844	OEM TUBE CAP	\$3.19	\$1.95
11	Z100927	SPRING	\$1.24	\$0.95
	Z481400	OEM SPRING	\$3.19	\$1.95
12	Z100861	COTTER PIN	\$0.59	\$0.45
	Z420406	OEM COTTER PIN	\$1.24	\$0.95
13	Z100698	PIN, BLUE HANDLE	\$18.14	\$11.95
	Z411859	OEM PIN, BLUE HANDLE	\$22.69	\$14.95
	Z100699	PIN, YELLOW HANDLE	\$18.14	\$11.95
	Z411860	OEM PIN, YELLOW HANDLE	\$18.79	\$12.95
14	Z100911	PIN	\$5.14	\$3.95
	Z422436	OEM PIN	\$22.69	\$14.95
15	Z100862	COTTER PIN	\$0.59	\$0.45
	Z420421	OEM COTTER PIN	\$1.24	\$0.95

Trade names Meyer, Western, etc. used in this catalog are for reference purposes only. Angelo's Supplies, Inc. does not imply that the products listed are produced by these manufacturers. Prices subject to change without notice. All sales are final on electrical items. All authorized returns are subject to a 15% restocking fee. All special order items must be prepaid and sales are final; no returns or exchanges will be permitted.