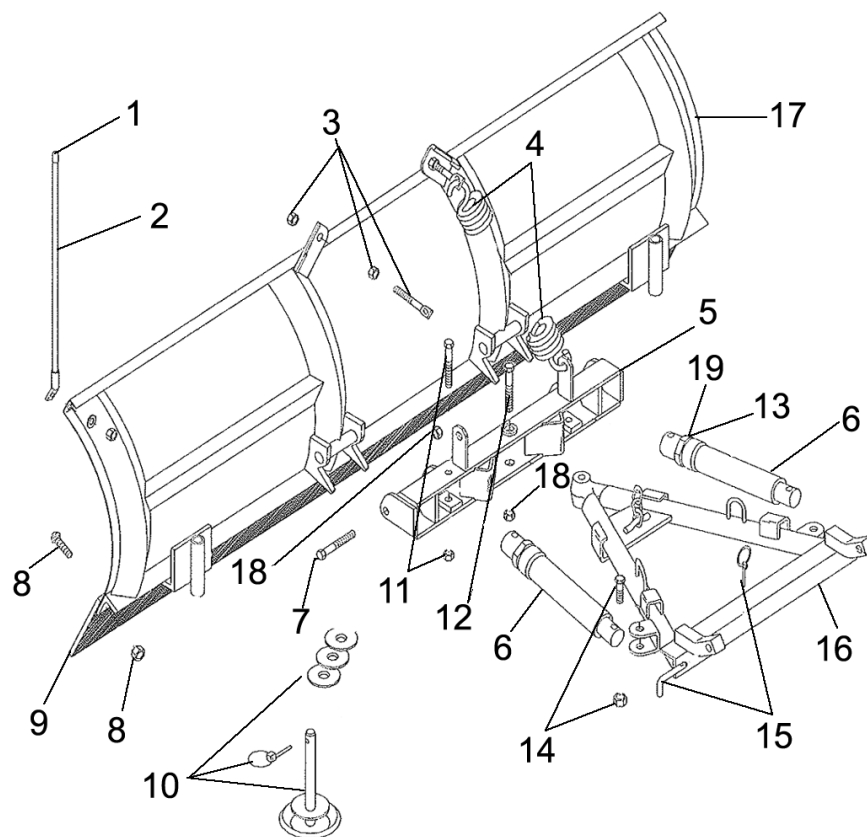


MEYER TWO METER PLOW

www.angelos-supplies.com

“When it snows, it’s Angelo’s”



Fax Orders: 248-442-8327

Phone Orders: 1.800.Angelo.2 (1.800.264.3562)

TWO METER PLOW, REPLACEMENT PARTS				
LOC. NO.	PART NUMBER	DESCRIPTION	MSRP	SALE PRICE
1	Z100693	TIPS, BLACK (PAIR)	\$1.24	\$0.95
2	Z100857	BLADE GUIDES, YELLOW (PAIR)	\$12.94	\$9.95
	Z409916	OEM BLADE GUIDES, YELLOW (PAIR)	\$30.49	\$19.95
3	Z100689	EYEBOLT & NUTS	\$2.54	\$1.95
	Z409124	OEM EYEBOLT & NUTS	\$9.69	\$5.95
4	Z100705	TRIP SPRING	\$22.04	\$14.95
	Z412978	OEM TRIP SPRING	\$23.34	\$15.95
5	Z412984	OEM PIVOT BAR	\$425.68	\$292.95
6	Z100645	CYLINDER, ANGLE, 1-1/2" X 10", 5/8" PIN HOLES	\$85.74	\$65.95
	Z407968	OEM CYLINDER, ANGLE, 1-1/2" X 10", 5/8" PIN HOLES	\$222.89	\$152.95
7	Z413598	OEM BOLT, GREASEABLE	\$48.04	\$32.95
8	Z100680	BOLT KIT, CUTTING EDGE	\$7.74	\$5.95
	Z408184	OEM BOLT KIT, CUTTING EDGE	\$18.79	\$12.95
9	Z409104	OEM CUTTING EDGE, 6' X 6" X 3/8"	\$143.59	\$98.95
	Z309100	CUTTING EDGE, 6-1/2' X 6" X 3/8"	\$72.73	\$55.95
	Z309105	CUTTING EDGE, 7' X 6" X 3/8"	\$156.59	\$120.45
10	Z409127	OEM SHOE ASSEMBLY	\$68.19	\$46.95
11	Z101043	BOLT & NUT 5/8 X 4 1/2	\$6.44	\$4.45
	Z420150	OEM BOLT	\$7.09	\$4.95
12	Z413591	OEM BOLT, GREASEABLE	\$38.29	\$25.95
13	Z100962	PACKING SET, 1-1/2"	\$11.64	\$8.95
14	Z100854	BOLT & NUT 5/8 X 4	\$4.49	\$3.45
	Z420148	OEM BOLT	\$5.79	\$3.95

TWO METER PLOW, REPLACEMENT PARTS				
LOC. NO.	PART NUMBER	DESCRIPTION	MSRP	SALE PRICE
15	Z100686	HITCH PIN & CLIP (PAIR)	\$7.74	\$5.95
	Z408562	OEM HITCH PIN & CLIP (PAIR)	\$17.49	\$11.95
16	Z413594	OEM A-FRAME	\$590.79	\$406.95
17	Z409103	OEM MOLDBOARD ASSY. 6' STEEL	\$952.19	\$655.95
	Z409102	OEM MOLDBOARD ASSY. 6-1/2' STEEL	\$1230.39	\$847.95
	Z409241	OEM MOLDBOARD ASSY. 6-1/2' POLY	\$1712.69	\$1180.95
	Z409242	OEM MOLDBOARD ASSY. 7' POLY	\$1833.59	\$1263.95
18	Z101051	LOCK NUT 5/8	\$0.59	\$0.45
	Z420309	OEM LOCK NUT 5/8	\$5.79	\$2.95
19	Z100974	PACKING NUT, 1-1/2"	\$14.24	\$10.95

Trade names Meyer, Western, etc. used in this catalog are for reference purposes only. Angelo's Supplies, Inc. does not imply that the products listed are produced by these manufacturers. Prices subject to change without notice. All sales are final on electrical items. All authorized returns are subject to a 15% restocking fee. All special order items must be prepaid and sales are final; no returns or exchanges will be permitted.