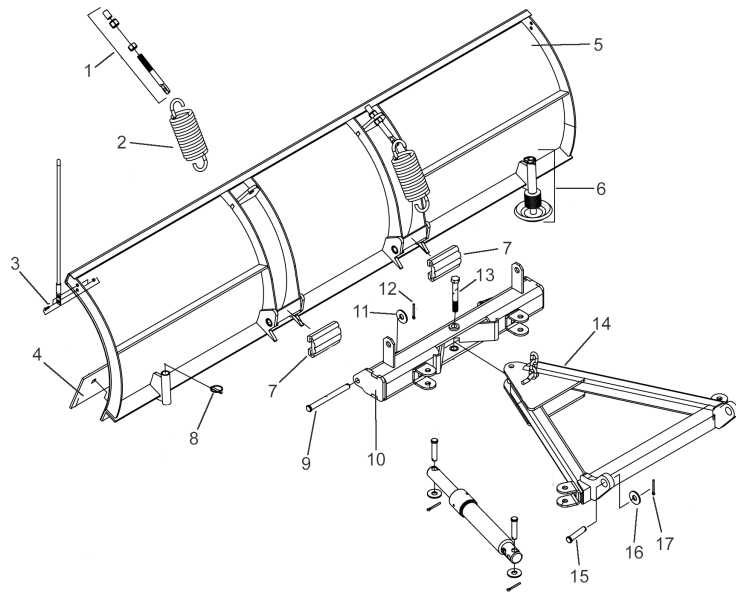


MEYER DRIVE PRO PLOW PARTS

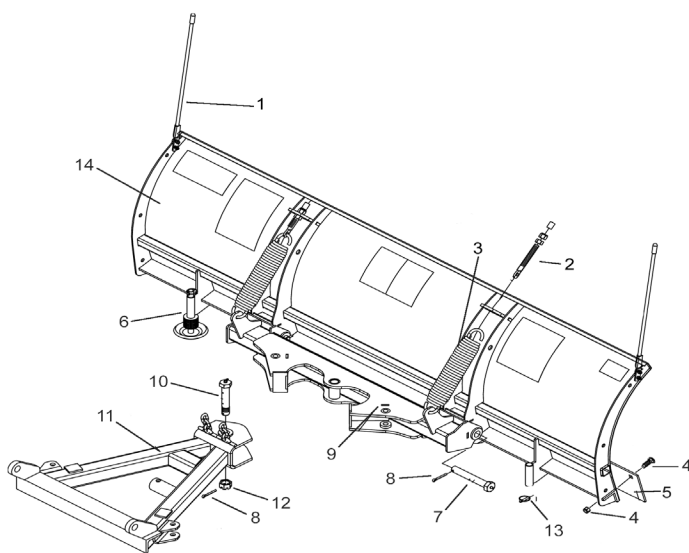
Fax Orders: 248-442-8327

Phone Orders: 1.800.Angelo.2 (1.800.264.3562)



MEYER DRIVE PRO 6' 8" PLOW PARTS

LOC. NO.	PART NUMBER	DESCRIPTION	MSRP	SALE PRICE
1	Z100689	EYEBOLT	\$2.54	\$1.95
	Z409124	OEM EYEBOLT	\$9.69	\$5.95
2	Z100705	TRIP SPRING	\$22.04	\$14.95
	Z412978	OEM TRIP SPRING	\$23.34	\$15.95
3	Z408852	OEM PLOW MARKER KIT	\$35.69	\$23.95
	Z100857	BLADE GUIDES, YELLOW, (PAIR)	\$12.94	\$9.95
4	Z409277	OEM CUTTING EDGE	\$144.59	\$97.95
5	Z409274	OEM MOLDBOARD ASSEMBLY	\$1079.59	\$743.95
6	Z409127	OEM MUSHROOM RUNNER ASSEMBLY	\$68.19	\$46.95
7	Z422686	OEM TRIP BUMPER	\$9.69	\$5.95
8	Z101097	LYNCH PIN	\$.59	\$.45
	Z422083	OEM LYNCH PIN	\$7.09	\$3.95
9	Z422720	OEM PIVOT PIN 5/8 X 7	\$14.89	\$9.95
10	Z412959	OEM DRIVE PRO PIVOT BAR	\$425.69	\$292.95
11	Z420357	OEM FLAT WASHER 5/8	\$1.89	\$.95
12	Z420385	OEM COTTER PIN	\$1.89	\$.95
13	Z422005	OEM PIVOT BOLT 5 1/2 X 11	\$5.79	\$3.95
14	Z413596	OEM DRIVE PRO A-FRAME	\$720.78	\$496.95
15	Z422436	OEM PIN 1" X 3"	\$22.69	\$14.95
16	Z420361	OEM FLAT WASHER	\$1.89	\$.95
17	Z420420	OEM COTTER PIN 1/4" X 2"	\$1.89	\$.95



MEYER DRIVE PRO 7' 6" PLOW PARTS

LOC. NO.	PART NUMBER	DESCRIPTION	MSRP	SALE PRICE
1	Z408852	OEM PLOW MARKER KIT	\$35.69	\$23.95
2	Z100689	EYEBOLT	\$2.54	\$1.95
	Z409124	OEM EYEBOLT	\$9.69	\$5.95
3	Z407178	OEM TRIP SPRING	\$34.39	\$22.95
4	Z100680	CUTTING EDGE BOLT KIT	\$7.74	\$5.95
	Z408184	OEM CUTTING EDGE BOLT KIT	\$18.79	\$12.95
5	Z309796	CUTTING EDGE	\$89.64	\$68.95
	Z409796	OEM CUTTING EDGE	\$169.59	\$116.95
6	Z409127	OEM MUSHROOM SHOE ASSEMBLY	\$68.19	\$46.95
7	Z422333	OEM PIVOT PIN W/ GREASE FITTING	\$75.99	\$51.95
8	Z100861	COTTER PIN	\$.59	\$.45
	Z420406	OEM COTTER PIN	\$1.89	\$.95
9	Z412590	OEM PIVOT BAR	\$486.79	\$334.95
10	Z422398	OEM KINGBOLT W/ GREASE FITTING	\$83.79	\$56.95
11	Z413500	OEM A-FRAME	\$820.89	\$565.95
12	Z422274	OEM HEX NUT SLOTTED	\$3.19	\$1.95
13	Z101097	LYNCH PIN	\$.59	\$.45
	Z422083	OEM LYNCH PIN	\$7.09	\$3.95
14	Z409256	OEM MOLDBOARD ASSY	\$1312.29	\$903.95

Trade names Meyer, Western, etc. used in this catalog are for reference purposes only. Angelo's Supplies, Inc. does not imply that the products listed are produced by these manufacturers. Prices subject to change without notice. All sales are final on electrical items. All authorized returns are subject to a 15% restocking fee. All special order items must be prepaid and sales are final; no returns or exchanges will be permitted.

www.angelo-supplies.com

"When it snows, it's Angelo's"