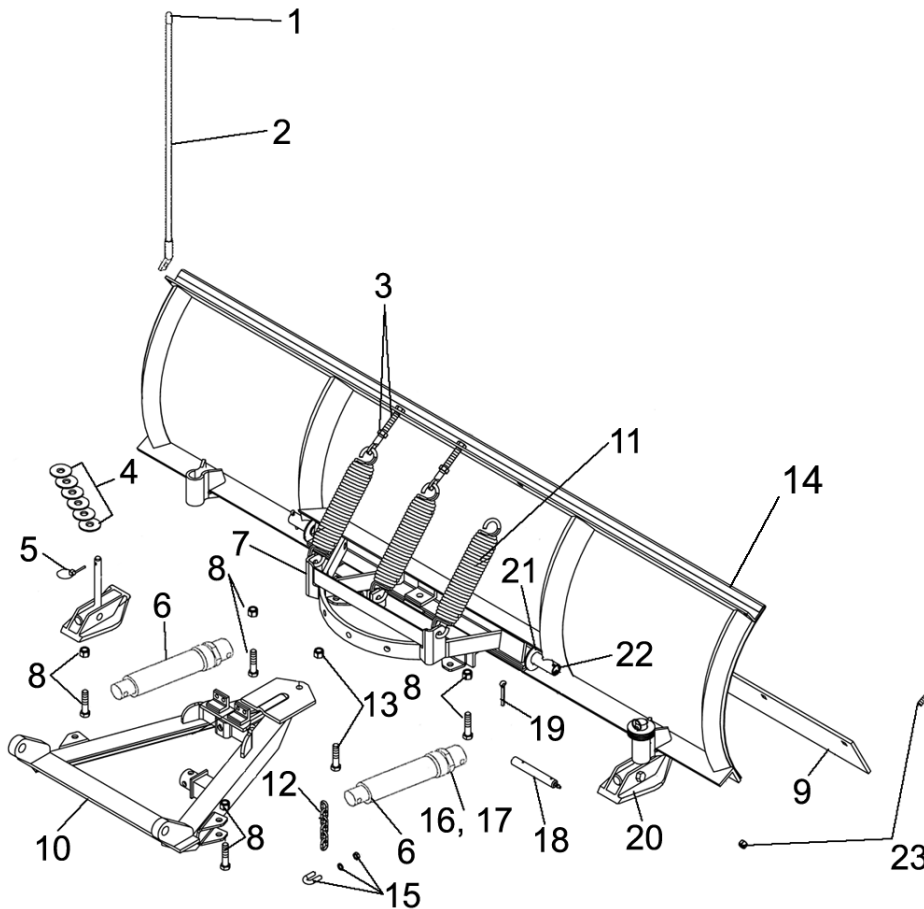


# STANDARD PLOW PARTS

www.angelos-supplies.com

"When it snows, it's Angelo's"



Fax Orders: 248-442-8327

Phone Orders: 1.800.Angelo.2 (1.800.264.3562)

## STANDARD PLOW, REPLACEMENT PARTS

LOC. NO.	PART NUMBER	DESCRIPTION	MSRP	SALE PRICE
1	Z100693	TIPS, BLACK (PAIR)	\$1.24	\$ <b>0.95</b>
2	Z100857	BLADE GUIDES, YELLOW, (PAIR)	\$12.94	\$ <b>9.95</b>
	Z409916	OEM BLADE GUIDES, YELLOW (PAIR)	\$30.49	\$ <b>23.45</b>
3	Z100689	EYEBOLT & NUTS	\$2.54	\$ <b>1.95</b>
	Z409124	OEM EYEBOLT & NUTS	\$9.69	\$ <b>5.95</b>
4	Z420363	OEM WASHER	\$1.24	\$ <b>0.95</b>
5	Z100064	QUICK PIN	\$1.24	\$ <b>0.95</b>
6	Z100645	CYLINDER, ANGLE, 1-1/2" X 10", 5/8" PIN HOLES	\$85.74	\$ <b>65.95</b>
	Z407968	OEM CYLINDER, ANGLE, 1-1/2" X 10", 5/8" PIN HOLES	\$222.89	\$ <b>152.95</b>
7	Z101035	SECTOR	\$324.94	\$ <b>249.95</b>
	Z412326	OEM SECTOR	\$482.89	\$ <b>322.95</b>
8	Z100854	BOLT & NUT 5/8 X 4	\$4.49	\$ <b>3.45</b>
	Z420148	OEM BOLT 5/8 X 3 3/4	\$5.79	\$ <b>3.95</b>
9	Z309105	CUTTING EDGE, 7' X 6" X 3/8"	\$156.59	\$ <b>120.45</b>
	Z309796	CUTTING EDGE, 7-1/2' X 6" X 3/8"	\$89.64	\$ <b>68.95</b>
	Z409796	OEM CUTTING EDGE, 7-1/2' X 6" X 3/8"	\$169.59	\$ <b>116.95</b>
10	Z101036	A-FRAME 11" X 34" X 23.5"	\$337.94	\$ <b>259.95</b>
	Z413612	OEM A-FRAME 11" X 34" X 23.5"	\$666.19	\$ <b>458.95</b>
11	Z100649	TRIP SPRING	\$12.94	\$ <b>9.95</b>
	Z407017	OEM TRIP SPRING	\$26.59	\$ <b>14.95</b>
12	Z421534	LIFT CHAIN	\$38.29	\$ <b>25.95</b>
13	Z100852	BOLT & NUT 5/8 X 3	\$5.14	\$ <b>3.95</b>
	Z409122	OEM BOLT 5/8 X 3	\$8.39	\$ <b>4.95</b>

## STANDARD PLOW, REPLACEMENT PARTS

LOC. NO.	PART NUMBER	DESCRIPTION	MSRP	SALE PRICE
14	Z409159	OEM MOLDBOARD 7" STEEL	\$1312.29	\$ <b>903.95</b>
	Z409243	OEM MOLDBOARD 7" POLY	\$1908.99	\$ <b>1316.95</b>
	Z409163	OEM MOLDBOARD 7-1/2" STEEL	\$1348.69	\$ <b>928.95</b>
	Z409244	OEM MOLDBOARD 7-1/2" POLY	\$1854.39	\$ <b>1278.95</b>
15	Z485180	OEM U-BOLT & NUTS	\$4.49	\$ <b>2.95</b>
16	Z100962	PACKING SET, 1-1/2"	\$11.64	\$ <b>8.95</b>
17	Z100974	PACKING NUT, 1-1/2"	\$14.24	\$ <b>10.95</b>
18	Z100684	PIVOT PIN, (PAIR), WHILE SUPPLIES LAST	\$12.94	\$ <b>9.95</b>
	Z408554	OEM PIVOT PIN, GREASEABLE (PAIR)	\$31.79	\$ <b>21.95</b>
19	Z100988	PIN	\$1.24	\$ <b>0.95</b>
20	Z100691	SHOE ASSEMBLY	\$33.74	\$ <b>25.95</b>
	Z409126	OEM SHOE ASSEMBLY	\$68.79	\$ <b>46.95</b>
21	Z100663	WASHER (PAIR)	\$3.84	\$ <b>2.45</b>
	Z407141	OEM WASHER	\$5.79	\$ <b>2.95</b>
22	Z100700	PIVOT PIN TUBE (PAIR)	\$15.54	\$ <b>11.95</b>
	Z412149	OEM PIVOT PIN TUBE (ONE)	\$13.59	\$ <b>8.95</b>
23	Z100680	BOLT KIT, CUTTING EDGE	\$7.74	\$ <b>5.95</b>
	Z408184	OEM BOLT KIT, CUTTING EDGE	\$18.79	\$ <b>12.95</b>

Trade names Meyer, Western, etc. used in this catalog are for reference purposes only. Angelo's Supplies, Inc. does not imply that the products listed are produced by these manufacturers. Prices subject to change without notice. All sales are final on electrical items. All authorized returns are subject to a 15% restocking fee. All special order items must be prepaid and sales are final; no returns or exchanges will be permitted.