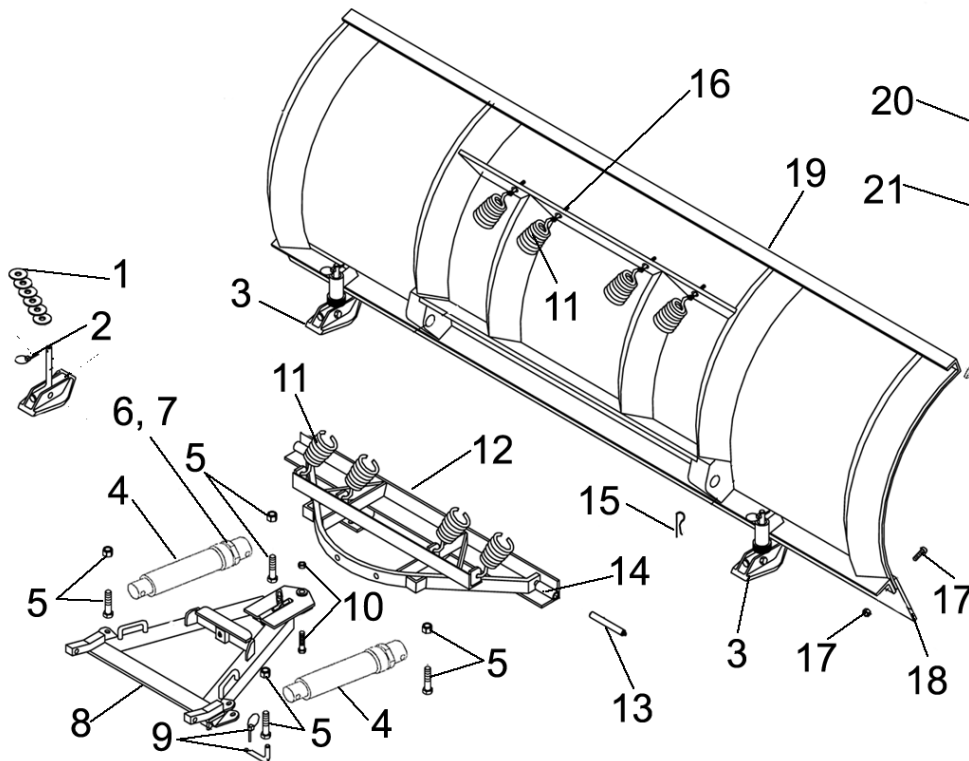


MEYER COMMERCIAL PLOW PARTS



COMMERCIAL PLOW, REPLACEMENT PARTS

LOC. NO.	PART NUMBER	DESCRIPTION	MSRP	SALE PRICE
1	Z100860	FLAT WASHER, WHILE SUPPLIES LAST	\$1.89	\$4.45
	Z420363	OEM FLAT WASHER	\$1.89	\$9.95
2	Z100064	QUICK PIN, 7/16"	\$1.24	\$9.95
3	Z100691	SHOE ASSEMBLY, 7-1/2' - 8-1/2' PLOW	\$33.74	\$25.95
	Z100692	SHOE ASSEMBLY, 9' - 10'	\$59.74	\$40.95
	Z409126	OEM SHOE ASSEMBLY	\$68.19	\$46.95
	Z409592	OEM SHOE ASSEMBLY	\$114.99	\$78.95
4	Z100645	CYLINDER, ANGLE, 1-1/2" X 10", 5/8" PIN HOLES	\$85.74	\$65.95
	Z100642	CYLINDER, ANGLE, 1-1/2" X 12", 5/8" PIN HOLES	\$90.94	\$69.95
	Z407968	OEM CYLINDER, ANGLE 1-1/2" X 10"	\$222.89	\$152.95
	Z405437	OEM CYLINDER, ANGLE 1-1/2" X 12"	\$205.99	\$140.95
5	Z100854	BOLT & NUT 5/8 X 4	\$4.49	\$3.45
	Z420148	OEM BOLT 5/8 X 3 3/4	\$5.79	\$3.95
6	Z100962	PACKING SET, 1-1/2"	\$11.64	\$8.95
7	Z100974	PACKING NUT, 1-1/2"	\$14.24	\$10.95
8	Z413319	OEM A-FRAME 39" X 23-1/2" X 15"	\$546.59	\$376.95
	Z101053	A-FRAME 31" X 23-1/2" X 15"	\$519.94	\$325.95
	Z413608	OEM A-FRAME 31" X 23 1/2" X 15"	\$481.39	\$331.95
9	Z100686	HITCH PIN & CLIP (PAIR)	\$7.74	\$5.95
	Z408562	OEM HITCH PIN & CLIP (PAIR)	\$17.49	\$11.95
10	Z101314	BOLT & NUT	\$5.14	\$3.95
	Z409125	OEM BOLT, 3/4 X 3 1/2	\$9.69	\$6.95
11	Z100649	TRIP SPRING	\$12.94	\$9.95
	Z407017	OEM TRIP SPRING	\$26.59	\$17.95
12	Z101054	SECTOR COMMERCIAL	\$597.94	\$459.95
	Z412793	OEM SECTOR COMMERCIAL	\$723.39	\$497.95
13	Z100684	PIVOT PIN (PAIR), WHILE SUPPLIES LAST	\$12.94	\$9.95
	Z408554	OEM PIVOT PIN GREASEABLE (PAIR)	\$31.79	\$21.95
14	Z100700	PIVOT PIN TUBE (PAIR)	\$15.54	\$11.95
	Z412149	OEM PIVOT PIN TUBE (ONE)	\$13.59	\$8.95
15	Z100988	HAIR PIN (PAIR)	\$1.24	\$9.95
	Z421984	OEM HAIR PIN (PAIR)	\$4.59	\$2.95

COMMERCIAL PLOW, REPLACEMENT PARTS

LOC. NO.	PART NUMBER	DESCRIPTION	MSRP	SALE PRICE
16	Z100689	EYEBOLT & NUTS	\$2.54	\$1.95
	Z409124	OEM EYEBOLT & NUTS	\$9.68	\$5.95
17	Z100680	BOLT KIT, CUTTING EDGE, 7-1/2' - 8-1/2'	\$7.74	\$5.95
	Z100682	BOLT KIT, CUTTING EDGE, 9' - 10'	\$16.84	\$12.95
	Z408184	OEM BOLT KIT, 10 PCS. 1/2" X 2"	\$18.75	\$12.95
	Z408318	OEM BOLT KIT, 12 PCS. 5/8" X 2.5"	\$46.09	\$30.95
18	Z309796	CUTTING EDGE, 7-1/2' X 6" X 3/8"	\$89.64	\$68.95
	Z409796	OEM CUTTING EDGE, 7-1/2' X 6" X 3/8"	\$169.59	\$116.95
	Z309133	CUTTING EDGE, 8' X 6" X 1/2"	\$96.14	\$73.95
	Z409133	OEM CUTTING EDGE, 8' X 6" X 1/2"	\$217.69	\$149.95
	Z309134	CUTTING EDGE, 8-1/2' X 6" X 1/2"	\$102.64	\$78.95
	Z409134	OEM CUTTING EDGE, 8-1/2' X 6" X 1/2"	\$233.29	\$160.95
	Z307259	CUTTING EDGE, 9' X 6" X 1/2"	\$107.84	\$82.95
	Z407259	OEM CUTTING EDGE, 9' X 6" X 1/2"	\$254.09	\$174.95
19	Z409400	OEM MOLDBOARD ASSEMBLY 7-1/2' STEEL	\$1377.29	\$949.95
	Z409245	OEM MOLDBOARD ASSEMBLY 7-1/2' POLY	\$1920.69	\$1323.95
	Z409401	OEM MOLDBOARD ASSEMBLY 8' STEEL	\$1559.29	\$1074.95
	Z409246	OEM MOLDBOARD ASSEMBLY 8' POLY	\$2041.59	\$1406.95
	Z409247	OEM MOLDBOARD ASSEMBLY 8-1/2' POLY	\$2402.99	\$1656.95
	Z409252	OEM MOLDBOARD ASSEMBLY 9' POLY	\$2885.29	\$1989.95
20	Z100693	TIPS, BLACK (PAIR)	\$1.24	\$9.95
21	Z100857	BLADE GUIDES YELLOW (PAIR)	\$12.94	\$9.95
	Z409916	OEM BLADE GUIDES YELLOW (PAIR)	\$30.49	\$19.95

Trade names Meyer, Western, etc. used in this catalog are for reference purposes only. Angelo's Supplies, Inc. does not imply that the products listed are produced by these manufacturers. Prices subject to change without notice. All sales are final on electrical items. All authorized returns are subject to a 15% restocking fee. All special order items must be prepaid and sales are final; no returns or exchanges will be permitted.