

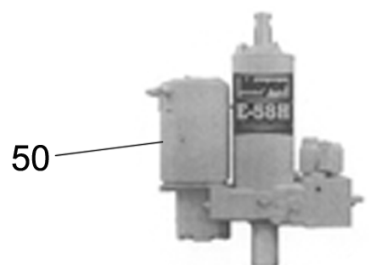
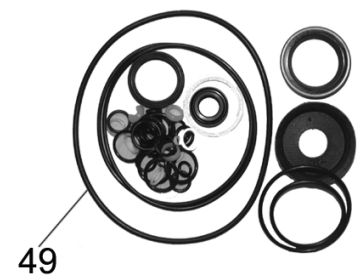
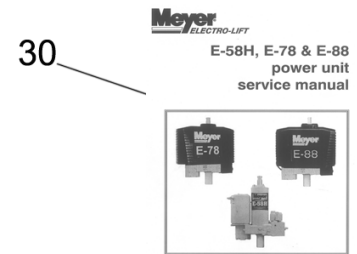
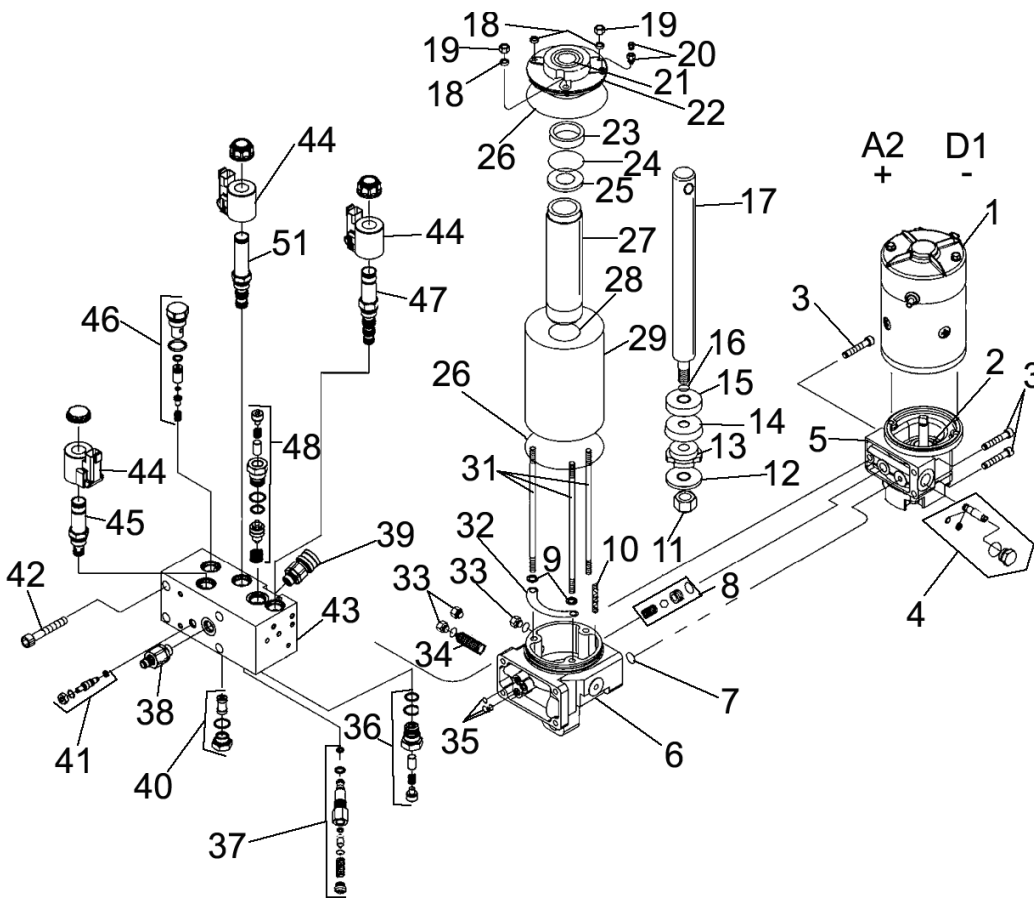
MEYER E-58H HYDRAULIC UNIT REPLACEMENT PARTS

www.angelos-supplies.com

"When it snows, it's Angelo's"

Fax Orders: 248-442-8327

Phone Orders: 1.800.Angelo.2 (1.800.264.3562)



"A" COIL = BLACK WIRE = LOWERING OF PLOW
 "B" COIL = RED WIRE = RAISING OF PLOW
 "C" COIL = GREEN WIRE = RIGHT ANGLE OF PLOW
 NATURAL DEFAULT OF THE PLOW IS TO ANGLE LEFT

Trade names Meyer, Western, etc. used in this catalog are for reference purposes only. Angelo's Supplies, Inc. does not imply that the products listed are produced by these manufacturers. Prices subject to change without notice. All sales are final on electrical items. All authorized returns are subject to a 15% restocking fee. All special order items must be prepaid and sales are final; no returns or exchanges will be permitted.

MEYER E-58H HYDRAULIC UNIT REPLACEMENT PARTS

Fax Orders: 248-442-8327

Phone Orders: 1.800.Angelo.2 (1.800.264.3562)

E-58H HYDRAULIC UNIT REPLACEMENT PARTS				
LOC. NO.	PART NUMBER	DESCRIPTION	MSRP	SALE PRICE
1	Z100788	MOTOR	\$116.94	\$89.95
	Z415727	OEM MOTOR	\$242.39	\$165.95
2	Z100752	PUMP SHAFT SEAL	\$3.84	\$2.95
	Z415581	OEM PUMP SHAFT SEAL	\$14.89	\$9.95
3	Z100904	SCREW	\$1.24	\$.95
	Z421826	OEM SCREW	\$1.89	\$1.45
4	Z415611	OEM PUMP RELIEF VALVE	\$65.59	\$44.95
	Z415874	OEM PUMP RELIEF VALVE	\$103.29	\$70.95
5	Z415889	OEM PUMP ASSY.	\$274.89	\$188.95
6	Z415980	OEM BASE & STRAINER	\$185.19	\$127.95
7	Z415127	OEM O-RING	\$1.89	\$1.45
8	Z415574	OEM PUMP CHECK VALVE	\$17.49	\$11.95
9	Z421980	OEM RETAINING RING	\$.59	\$.95
10	Z100733	STRAINER	\$3.84	\$2.95
	Z415326	OEM STRAINER	\$8.39	\$5.95
11	Z101174	LOCK NUT 7/16	\$.59	\$.45
	Z420307	OEM LOCK NUT	\$3.19	\$1.95
12	Z415760	OEM SPACER	\$7.09	\$5.45
13	Z415219	OEM PISTON FOLLOWER	\$33.09	\$22.95
14	Z101027	PACKING CUP	\$3.84	\$2.95
	Z415162	OEM PACKING CUP	\$12.29	\$7.95
15	Z415158	OEM PISTON	\$39.59	\$26.95
16	Z101028	O-RING	\$1.24	\$.45
	Z415125	OEM O-RING	\$1.89	\$1.45
17	Z100728	RAM 8" LIFT	\$54.54	\$41.95
	Z415206	OEM RAM 8" LIFT	\$88.99	\$60.95
18	Z100873	NYLITE WASHER	\$1.24	\$.95
	Z421929	OEM NYLITE WASHER	\$1.89	\$1.45
19	Z100098	LOCK NUT	\$.59	\$.45
	Z420697	OEM LOCK NUT	\$.59	\$.95
20	Z100683	PRESSURE RELIEF VALVE	\$3.84	\$2.95
	Z408473	OEM PRESSURE RELIEF VALVE	\$7.09	\$4.95
21	Z100641	WIPER	\$3.19	\$2.45
	Z405119	OEM WIPER	\$9.04	\$4.95
22	Z100723	COVER	\$20.74	\$15.95
	Z415194	OEM COVER	\$49.99	\$34.95
23	Z100724	SLEEVE	\$5.14	\$3.95
	Z415737	OEM SLEEVE	\$9.69	\$5.95

E-58H HYDRAULIC UNIT REPLACEMENT PARTS				
LOC. NO.	PART NUMBER	DESCRIPTION	MSRP	SALE PRICE
24	Z101025	O-RING	\$2.54	\$1.95
	Z415198	OEM O-RING	\$3.19	\$2.45
25	Z415209	OEM WASHER, GROOVES DOWN	\$8.39	\$4.95
26	Z101024	O-RING	\$1.24	\$.95
	Z415131	OEM O-RING	\$8.39	\$4.95
27	Z415205	OEM CYLINDER 1-1/8" X 8" H SERIES	\$81.19	\$55.95
28	Z101026	O-RING	\$1.24	\$.95
	Z415163	OEM O-RING	\$4.49	\$2.95
29	Z415204	OEM CYLINDER TANK 8" STROKE H SERIES	\$74.69	\$50.95
30	Z490321	OEM SERVICE MANUAL	\$10.34	\$7.95
31	Z415203	OEM STUD 9-1/4" H SERIES	\$5.79	\$2.95
32	Z415621	OEM BAFFEL	\$8.39	\$5.95
33	Z100877	PLUG	\$2.54	\$1.95
	Z421999	OEM PLUG	\$5.79	\$2.95
34	Z415619	OEM FILTER	\$5.79	\$2.95
35	Z101030	O-RING	\$.59	\$.45
	Z415122	OEM O-RING	\$.59	\$.95
36	Z415944	OEM CHECK VALVE, WHILE SUPPLIES LAST	\$155.29	\$105.95
37	Z415974	OEM CROSS OVER VALVE	\$165.69	\$113.95
38	Z422442	OEM COUPLER MALE HALF	\$27.89	\$18.95
39	Z422445	OEM COUPLER FEMALE HALF	\$36.99	\$24.95
40	Z415951	OEM FILTER PA BLOCK	\$43.49	\$29.95
41	Z415950	OEM NEEDLE VALVE	\$39.59	\$26.95
42	Z100866	SCREW	\$1.24	\$.95
43	Z415985	OEM VALVE BLOCK ASSY.	\$530.99	\$365.95
44	Z102257	COIL NEW STYLE CONNECTER	\$46.74	\$35.95
	Z415916	OEM COIL, NEW STYLE CONNECTOR	\$67.54	\$46.95
45	Z102253	VALVE A	\$89.74	\$45.95
	Z415917	OEM VALVE A	\$81.19	\$55.95
46	Z415959	OEM B CHECK VALVE	\$88.99	\$60.95
47	Z415958	OEM C VALVE, E58H	\$120.19	\$81.95
48	Z415965	OEM DUAL CHECK VALVE	\$165.69	\$112.95
49	Z100835	MASTER SEAL KIT	\$22.04	\$16.95
	Z415969	OEM MASTER SEAL KIT, E58H	\$99.39	\$68.95
50	Z415995	OEM E-58H HYDRAULIC UNIT	\$2071.49	\$1427.95
51	Z102254	VALVE B	\$71.44	\$54.95
	Z415918	OEM VALVE B	\$116.29	\$79.95

www.angelo-supplies.com

"When It Snows, It's Angelo's"

Trade names Meyer, Western, etc. used in this catalog are for reference purposes only. Angelo's Supplies, Inc. does not imply that the products listed are produced by these manufacturers. Prices subject to change without notice. All sales are final on electrical items. All authorized returns are subject to a 15% restocking fee. All special order items must be prepaid and sales are final; no returns or exchanges will be permitted.