

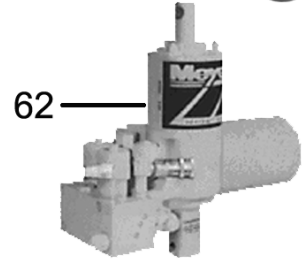
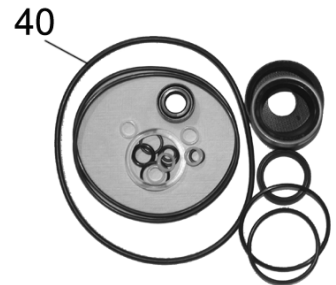
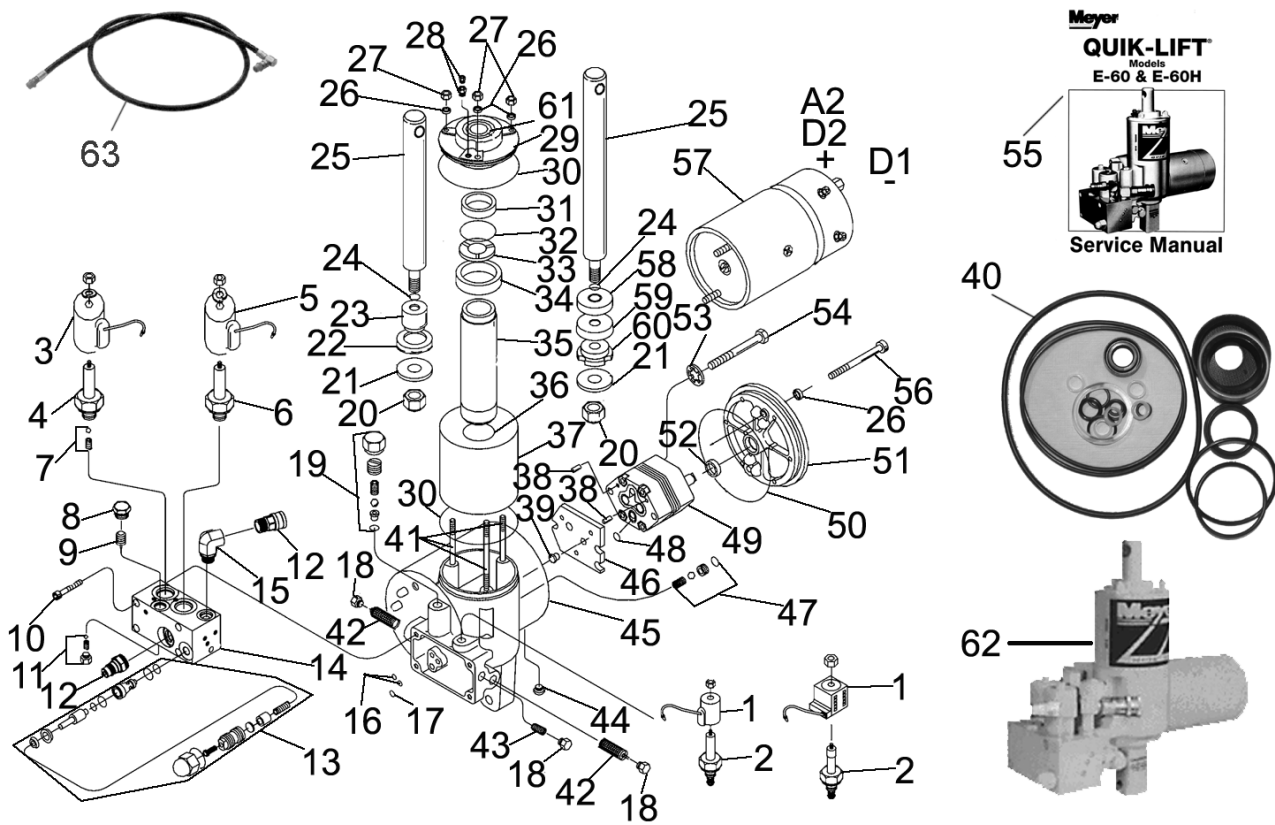
MEYER E-60 HYDRAULIC UNIT REPLACEMENT PARTS

www.angelos-supplies.com

"When it Snows, It's Angelo's"

Fax Orders: 248-442-8327

Phone Orders: 1.800.Angelo.2 (1.800.264.3562)



Trade names Meyer, Western, etc. used in this catalog are for reference purposes only. Angelo's Supplies, Inc. does not imply that the products listed are produced by these manufacturers. Prices subject to change without notice. All sales are final on electrical items. All authorized returns are subject to a 15% restocking fee. All special order items must be prepaid and sales are final; no returns or exchanges will be permitted.

MEYER E-60 HYDRAULIC UNIT REPLACEMENT PARTS

E-60 HYDRAULIC UNIT REPLACEMENT PARTS

LOC. NO.	PART NUMBER	DESCRIPTION	MSRP	SALE PRICE
1	Z100761	A-COIL, BLACK WIRE, NEW STYLE 5/8" ID	\$15.54	\$11.95
	Z415905	OEM A-COIL, BLACK WIRE SQ. BLACK	\$40.89	\$27.95
2	Z100762	A-VALVE NEW STYLE 5/8" STEM	\$38.94	\$29.95
3	Z100740	B-COIL, RED WIRE	\$15.54	\$11.95
	Z415382	OEM B COIL	\$43.49	\$28.95
4	Z100777	B-VALVE	\$51.94	\$39.95
	Z415698	OEM B VALVE	\$159.19	\$108.95
5	Z100743	C-COIL, GREEN WIRE	\$15.54	\$11.95
	Z415430	OEM C COIL	\$53.89	\$35.95
6	Z100739	C-VALVE	\$61.04	\$46.95
	Z415381	OEM C VALVE	\$157.89	\$107.95
7	Z415576	OEM B-CHECK VALVE	\$8.39	\$5.95
8	Z415359	OEM PLUG	\$29.19	\$19.95
9	Z415609	OEM PISTON	\$31.79	\$21.95
10	Z100866	SCREW	\$1.24	\$.95
11	Z100759	PILOT CHECK VALVE	\$25.94	\$19.95
12	Z100901	COUPLER SET 11/16" MALE THREAD	\$41.54	\$31.95
13	Z100753	CROSS OVER VALVE	\$47.39	\$36.45
14	Z415967	OEM VALVE BLOCK ASSY. NEW STYLE	\$844.29	\$649.45
15	Z422295	OEM ELBOW, FORGED, NEW STYLE	\$21.39	\$14.95
16	Z101030	O-RING	\$.59	\$.45
	Z100981	O-RING	\$1.24	\$.95
17	Z415123	OEM O-RING	\$1.89	\$1.45
	Z100877	PLUG	\$2.54	\$1.95
19	Z415699	OEM RELIEF VALVE	\$21.39	\$14.95
20	Z101174	LOCK NUT	\$.59	\$.45
21	Z415692	OEM WASHER, FLAT	\$1.89	\$.95
22	Z100982	PACKING CUP	\$7.74	\$5.95
	Z415691	OEM PACKING CUP	\$20.09	\$12.95
23	Z415690	OEM PISTON	\$39.59	\$26.95
24	Z101028	O-RING	\$1.24	\$.45
25	Z100730	RAM 6" LIFT	\$40.24	\$30.95
	Z100728	RAM 8" LIFT H SERIES	\$54.54	\$41.95
26	Z100873	NYLITE WASHER	\$1.24	\$.95
	Z421929	OEM NYLITE WASHER	\$1.89	\$1.45
27	Z100098	LOCK NUT	\$.59	\$.45
28	Z100683	PRESSURE RELIEF VALVE	\$3.84	\$2.95
29	Z100723	COVER	\$20.74	\$15.95
30	Z101024	O-RING	\$1.24	\$.95
31	Z100724	SLEEVE	\$5.14	\$3.95
32	Z101025	O-RING	\$2.54	\$1.95
33	Z415209	OEM WASHER	\$8.39	\$4.95
34	Z415695	OEM SPACER	\$12.29	\$7.95
35	Z408839	OEM CYLINDER 1-3/4" X 6" E60	\$116.29	\$79.95
	Z415205	OEM CYLINDER 1-1/8" X 8", H SERIES	\$81.19	\$55.95
36	Z100984	O-RING 6" LIFT	\$1.24	\$.95
	Z101026	O-RING 8" LIFT	\$1.24	\$.95
37	Z415696	OEM CYLINDER TANK 6" LIFT	\$43.49	\$29.95
	Z415704	OEM CYLINDER TANK 8" LIFT, H SERIES	\$68.19	\$46.95
38	Z415688	OEM DOWEL PIN	\$43.49	\$28.95
39	Z415713	OEM LOCATOR	\$1.89	\$.95
40	Z100782	MASTER SEAL KIT	\$24.64	\$18.95
	Z415705	OEM MASTER SEAL KIT	\$147.49	\$100.95

E-60 HYDRAULIC UNIT REPLACEMENT PARTS

LOC. NO.	PART NUMBER	DESCRIPTION	MSRP	SALE PRICE
41	Z415708	OEM STUD 6" LIFT	\$4.49	\$2.95
	Z415709	OEM STUD 8" LIFT, H SERIES	\$5.79	\$3.95
42	Z415619	OEM FILTER	\$5.79	\$2.95
43	Z422118	OEM SET SCREW	\$3.19	\$1.95
44	Z100884	PLUG	\$1.24	\$.95
	Z422129	OEM PLUG	\$5.79	\$2.95
45	Z415726	OEM SUMP BASE	\$229.39	\$157.95
46	Z415703	OEM PUMP PLATE	\$49.99	\$33.95
47	Z415574	OEM PUMP CHECK VALVE	\$17.49	\$11.95
48	Z415701	OEM O-RING	\$1.89	\$.95
49	Z100789	PUMP	\$220.94	\$169.95
	Z415729	OEM PUMP	\$319.09	\$218.95
50	Z415687	OEM O-RING	\$1.89	\$.95
51	Z415685	OEM COVER W/OUT TABS	\$25.29	\$16.95
	Z415831	OEM COVER W/TABS	\$68.84	\$46.95
52	Z100769	PUMP SHAFT SEAL	\$3.84	\$2.95
	Z415686	OEM PUMP SHAFT SEAL	\$8.39	\$5.95
53	Z100864	STAR WASHER	\$.59	\$.45
	Z421083	OEM STAR WASHER	\$1.89	\$.95
54	Z100881	BOLT, 3/8 X 3 1/2	\$1.89	\$1.45
	Z422119	OEM BOLT	\$1.89	\$.95
55	Z403008	OEM SERVICE MANUAL, WHILE SUPPLIES LAST	\$10.34	\$7.95
56	Z100882	BOLT, 5/16 X 3 1/4	\$5.14	\$3.95
	Z422120	OEM BOLT, 5/16 X 3 1/4	\$7.09	\$3.95
57	Z100788	MOTOR	\$116.94	\$89.95
	Z415727	OEM MOTOR	\$242.39	\$165.95
58	Z415158	OEM PISTON	\$39.59	\$26.95
59	Z101027	PACKING CUP	\$3.84	\$2.95
60	Z415219	OEM PISTON FOLLOWER	\$33.09	\$22.95
61	Z100641	WIPER	\$3.19	\$2.45
62	Z415995	OEM E-58H HYDRAULIC UNIT (E-60 NO LONGER AVAILABLE)	\$2071.49	\$1427.95
	Z408128	OEM HARNESS, UPGRADE TO E-58H	\$125.39	\$985.95
63	Z100868	HOSE, 45", SWIVEL ELBOW 1/4" MALE NPT, 1/4" MALE NPT STRAIGHT	\$14.24	\$10.95
		12 OR MORE	\$12.29	\$9.45

"A" COIL = BLACK WIRE = LOWERING OF PLOW

"B" COIL = RED WIRE = RAISING OF PLOW

"C" COIL = GREEN WIRE = RIGHT ANGLE OF PLOW

NATURAL DEFAULT OF THE PLOW IS TO ANGLE LEFT

Trade names Meyer, Western, etc. used in this catalog are for reference purposes only. Angelo's Supplies, Inc. does not imply that the products listed are produced by these manufacturers. Prices subject to change without notice. All sales are final on electrical items. All authorized returns are subject to a 15% restocking fee. All special order items must be prepaid and sales are final; no returns or exchanges will be permitted.