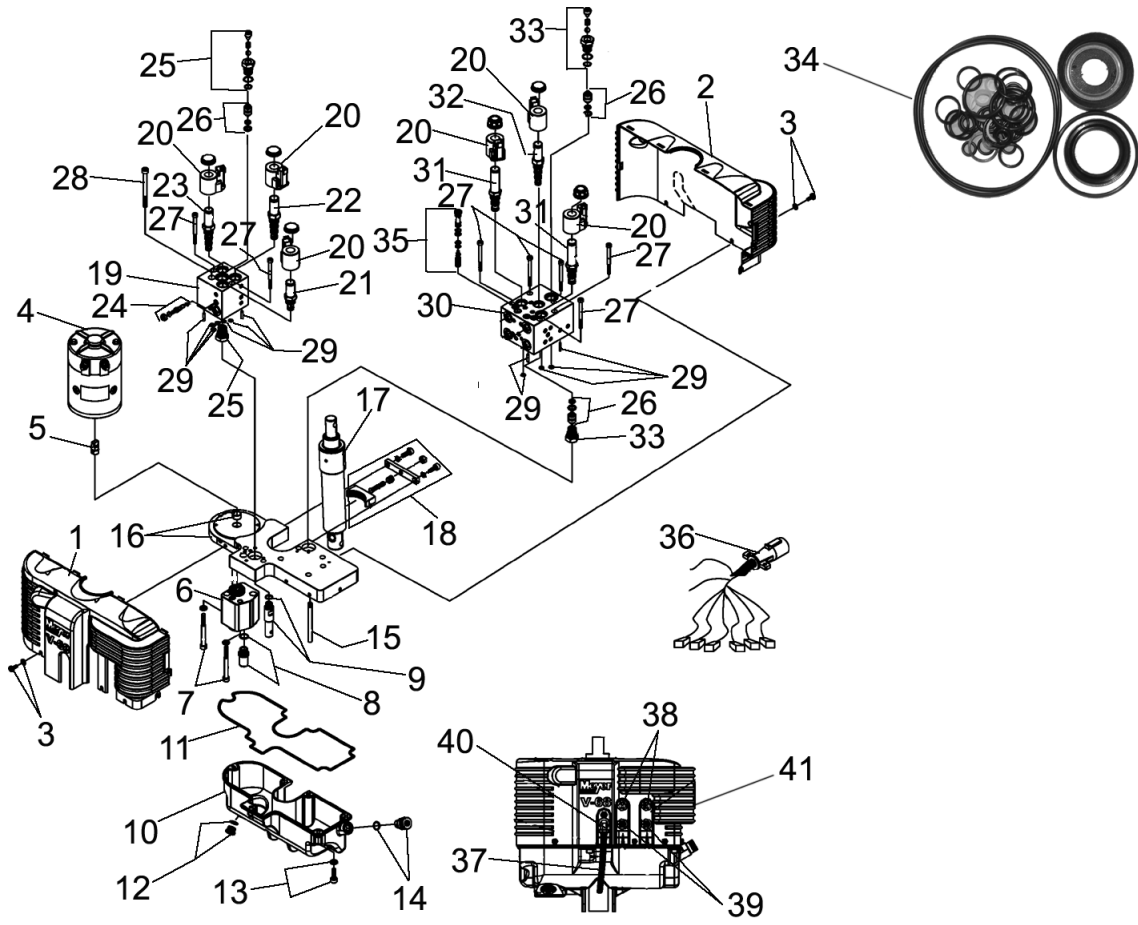


MEYER V-68 HYDRAULIC UNIT REPLACEMENT PARTS

www.angelos-supplies.com

"When it snows, it's Angelo's"



Fax Orders: 248-442-8327

Phone Orders: 1.800.Angelo.2 (1.800.264.3562)

Trade names Meyer, Western, etc. used in this catalog are for reference purposes only. Angelo's Supplies, Inc. does not imply that the products listed are produced by these manufacturers. Prices subject to change without notice. All sales are final on electrical items. All authorized returns are subject to a 15% restocking fee. All special order items must be prepaid and sales are final; no returns or exchanges will be permitted.

MEYER V-68 HYDRAULIC UNIT REPLACEMENT PARTS

Fax Orders: 248-442-8327

Phone Orders: 1.800.Angelo.2 (1.800.264.3562)

| V-68 HYDRAULIC UNIT REPLACEMENT PARTS | | | | |
|---------------------------------------|-------------|-----------------------------|-----------|------------------|
| LOC. NO. | PART NUMBER | DESCRIPTION | MSRP | SALE PRICE |
| 1 | Z415011 | OEM COVER, FRONT | \$77.29 | \$52.95 |
| 2 | Z415010 | OEM COVER, REAR | \$77.29 | \$52.95 |
| 3 | Z415046 | OEM HARDWARE KIT, COVER | \$38.29 | \$25.95 |
| 4 | Z100788 | MOTOR | \$116.94 | \$89.95 |
| | Z415727 | OEM MOTOR | \$242.39 | \$165.95 |
| 5 | Z415023 | OEM PUMP SHAFT EXTENSION | \$40.89 | \$27.95 |
| 6 | Z415021 | OEM PUMP | \$887.19 | \$611.95 |
| 7 | Z415029 | OEM BOLT | \$16.19 | \$10.95 |
| 8 | Z415022 | OEM FILTER | \$79.89 | \$54.95 |
| 9 | Z415025 | OEM PUMP RELIEF VALVE | \$151.39 | \$103.95 |
| 10 | Z415015 | OEM BASE TANK | \$252.79 | \$173.95 |
| 11 | Z415013 | OEM GASKET, BASE TANK | \$16.19 | \$10.95 |
| 12 | Z415014 | OEM PLUG (SET SCREW) | \$5.79 | \$3.95 |
| 13 | Z415041 | OEM HARDWARE KIT, BASE TANK | \$220.29 | \$150.95 |
| 14 | Z415012 | OEM RELIEF VALVE | \$98.09 | \$66.95 |
| 15 | Z415034 | OEM RETURN TUBE | \$18.79 | \$12.95 |
| 16 | Z415020 | OEM BASE PLATE | \$1590.49 | \$1096.95 |
| 17 | Z405815 | OEM LIFT RAM | \$272.29 | \$186.95 |
| 18 | Z415017 | OEM CLAMP ASSY., LIFT RAM | \$546.59 | \$375.95 |
| 19 | Z415039 | OEM VALVE BLOCK ASSY. | \$696.09 | \$479.95 |
| 20 | Z102257 | COIL NEW STYLE CONNECTOR | \$46.74 | \$35.95 |
| | Z415916 | OEM COIL | \$67.54 | \$46.95 |
| 21 | Z102253 | A VALVE | \$59.74 | \$45.95 |
| | Z415917 | OEM VALVE, RED WIRE | \$81.19 | \$55.95 |
| 22 | Z415055 | OEM VALVE, BLACK WIRE, S-2 | \$127.99 | \$87.95 |
| 23 | Z102255 | VALVE E | \$80.54 | \$61.95 |
| | Z415919 | OEM VALVE, GREEN WIRE E | \$122.79 | \$83.95 |
| 24 | Z415950 | OEM NEEDLE VALVE | \$39.59 | \$26.95 |
| 25 | Z415965 | OEM DUAL CHECK VALVE | \$165.69 | \$112.95 |
| 26 | Z415031 | OEM PILOT SPOOL | \$25.29 | \$16.95 |
| 27 | Z415024 | OEM BOLT | \$3.19 | \$1.95 |
| 28 | Z415030 | OEM BOLT | \$4.49 | \$1.95 |

| V-68 HYDRAULIC UNIT REPLACEMENT PARTS | | | | |
|---------------------------------------|-------------|---|-----------|------------------|
| LOC. NO. | PART NUMBER | DESCRIPTION | MSRP | SALE PRICE |
| 29 | Z415050 | OEM DOWEL PIN & O-RING KIT | \$30.49 | \$19.95 |
| 30 | Z415038 | OEM VALVE BLOCK ASSY. "V" | \$1291.49 | \$889.95 |
| 31 | Z102254 | VALVE B | \$71.44 | \$54.95 |
| | Z415918 | OEM VALVE, YELLOW WIRE, & BLUE W/WHITE STRIP WIRE | \$116.29 | \$79.95 |
| 32 | Z102256 | VALVE C | \$80.54 | \$61.95 |
| | Z415958 | OEM VALVE, PURPLE WIRE | \$120.19 | \$81.95 |
| 33 | Z415944 | OEM CHECK VALVE, WHILE SUPPLIES LAST | \$155.29 | \$105.95 |
| 34 | Z415051 | OEM MASTER SEAL KIT, V-68 | \$322.99 | \$221.95 |
| 35 | Z415033 | OEM RELIEF VALVE | \$90.29 | \$61.95 |
| 36 | Z422696 | OEM HARNESS, PLOW SIDE | \$147.49 | \$100.95 |
| 37 | Z422675 | OEM HOSE | \$29.19 | \$18.95 |
| | Z101210 | HOSE | \$15.54 | \$11.95 |
| 38 | Z422420 | OEM HOSE | \$39.59 | \$26.95 |
| 39 | Z422418 | OEM HOSE | \$39.59 | \$26.95 |
| 40 | Z422460 | OEM ELBOW | \$18.79 | \$12.95 |
| 41 | Z415009 | OEM V-68 HYDRAULIC UNIT | \$2518.69 | \$1736.95 |

"A" COIL = BLACK WIRE = LOWERING OF PLOW

"B" COIL = RED WIRE = RAISING OF PLOW

"C" COIL = GREEN WIRE = RIGHT ANGLE OF PLOW

NATURAL DEFAULT OF THE PLOW IS TO ANGLE LEFT

Trade names Meyer, Western, etc. used in this catalog are for reference purposes only. Angelo's Supplies, Inc. does not imply that the products listed are produced by these manufacturers. Prices subject to change without notice. All sales are final on electrical items. All authorized returns are subject to a 15% restocking fee. All special order items must be prepaid and sales are final; no returns or exchanges will be permitted.