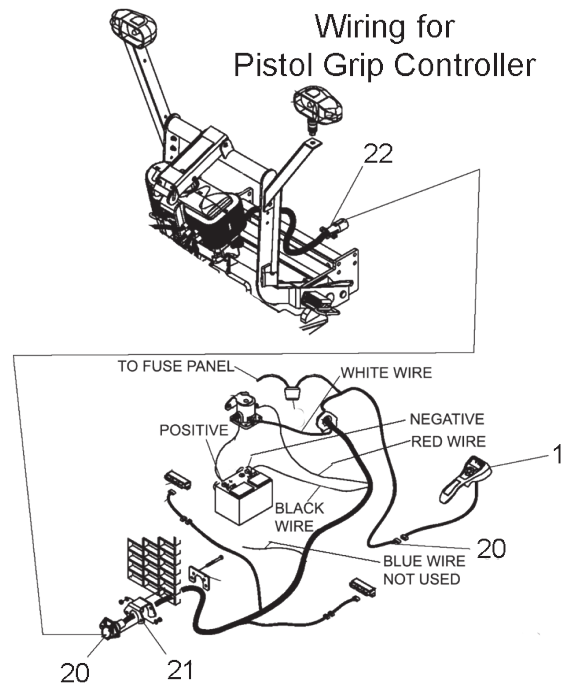
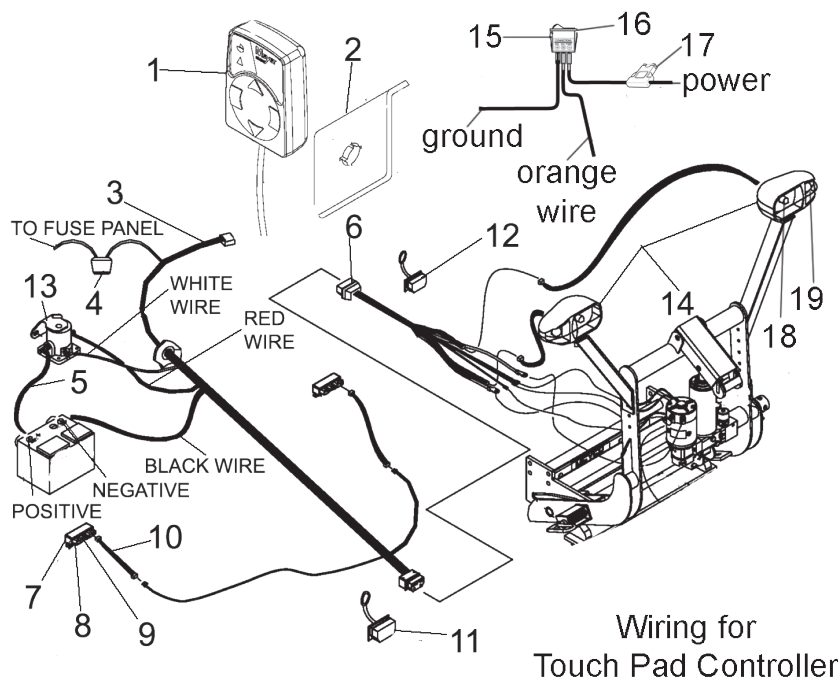


MEYER E-58 TOUCH PAD & PISTOL GRIP WIRING

Fax Orders: 248-442-8327



www.angelos-supplies.com

E-58 CONTROLLERS & WIRING

LOC. NO.	PART NUMBER	DESCRIPTION	MSRP	SALE PRICE
1	Z100706	TOUCH PAD, SAM	\$129.94	\$99.95
	Z422690	OEM PISTOL GRIP CONTROL	\$333.39	\$229.95
	Z105960	UNIVERSAL CONTROLLER MEYER/DIAMOND	\$246.94	\$189.95
2	Z415673	OEM BRACKET	\$3.19	\$1.95
3	Z422610	OEM HARNESS, VEHICLE SIDE	\$164.39	\$112.95
4	Z101228	FUSE 10A, ATC	\$1.24	\$.95
5	Z100640	CABLE, 36" RED	\$10.99	\$7.45
	Z405024	OEM CABLE, 36" RED	\$12.29	\$8.45
6	Z422604	OEM HARNESS, PLOW SIDE	\$172.19	\$117.95
7	Z407548	OEM CONTROL MODULE	\$217.69	\$149.95
8	Z199999	CALL FOR DETAILS		
9	Z407117	OEM HARNESS B, BLACK, GREEN, YELLOW & ORANGE WIRES	\$21.39	\$14.95
10	Z407118	OEM HARNESS C, TO PLOW LIGHTS	\$33.09	\$22.95
11	Z422279	OEM WEATHER COVER, VEHICLE SIDE	\$5.79	\$3.95
12	Z422263	OEM WEATHER COVER, PLOW SIDE	\$8.39	\$4.95
13	Z100133	SOLENOID	\$7.74	\$5.95
	Z415370	OEM SOLENOID	\$27.89	\$18.95
14	Z407223	OEM SABER LIGHT KIT, INCLUDES WIRES AND MODULES, EXCEPT ITEM 8, WHILE SUPPLIES LAST	\$389.94	\$258.95
	Z407305	OEM SABER LIGHTS, NO HARDWARE	\$361.99	\$249.95
	Z407550	OEM SABER II LIGHT KIT, INCLUDES WIRES AND MODULES, EXCEPT ITEM 8	\$481.59	\$331.95
	Z407234	OEM SABER LIGHTS, NEW STYLE W/ MODS	\$539.99	\$302.95

E-58 CONTROLLERS & WIRING

LOC. NO.	PART NUMBER	DESCRIPTION	MSRP	SALE PRICE
15	Z407119	OEM ROCKER SWITCH, LIGHTS	\$5.79	\$2.95
16	Z415804	OEM BRACKET, ROCKER SWITCH, LIGHTS	\$1.89	\$.95
17	Z101235	FUSE 5A, ATC	\$1.24	\$.95
18	Z100606	BULB, HALOGEN	\$11.64	\$8.95
19	Z100416	BULB, AMBER TURN	\$3.84	\$2.95
20	Z422691	OEM HARNESS TRUCK SIDE	\$213.14	\$163.95
21	Z408059	OEM REPLACEMENT HARNESS HINGED CAP	\$75.34	\$57.95
22	Z422692	OEM HARNESS PLOW SIDE	\$182.59	\$140.45

"When it snows, it's Angelo's"

Trade names Meyer, Western, etc. used in this catalog are for reference purposes only. Angelo's Supplies, Inc. does not imply that the products listed are produced by these manufacturers. Prices subject to change without notice. All sales are final on electrical items. All authorized returns are subject to a 15% restocking fee. All special order items must be prepaid and sales are final; no returns or exchanges will be permitted.

Phone Orders: 1.800.Angelo.2 (1.800.264.3562)